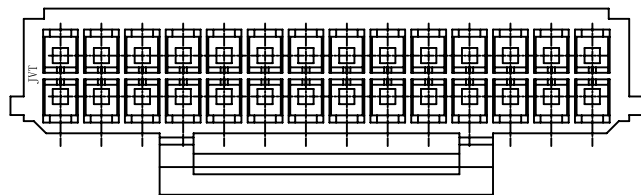
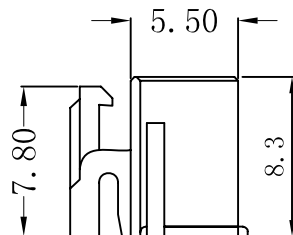
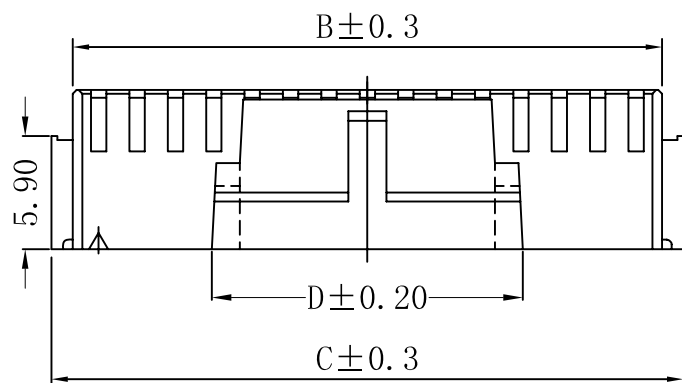
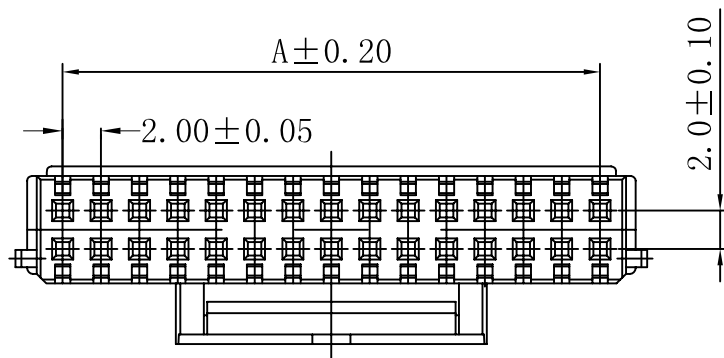


RoHS

REVISION DATE		
ITEM	DESCRIPTION	DATE
A	Issue	

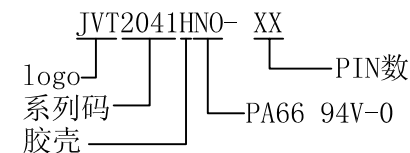


■ SPECIFICATIONS

- Voltage rating: 250V AC/DC
- Current rating: 3.0A AC/DC
- Withstanding Voltage: 800V AC/minute
- Insulation resistance: 1000mΩ Min.
- Temperature range: -25°C - +85°C
- Contact resistance: 20mΩ Max.

■ HOUSING

- Part No.: JVT2041HNO- XX
- Poles: 04-40
- Material: PA66 UL94V-0
- Q' ty: 1000PCS/Bag



	A	B	C	D		A	B	C	D
04	2.0	4.6	6.76	3.10	24	22.0	24.6	26.76	15.70
06	4.0	6.6	8.76	3.10	26	24.0	26.6	28.76	15.70
08	6.0	8.6	10.76	4.30	28	26.0	28.6	30.76	15.70
10	8.0	10.6	12.76	5.70	30	28.0	30.6	32.76	15.70
12	10.0	12.6	14.76	7.70	32	30.0	32.6	34.76	15.70
14	12.0	14.6	16.76	9.70	34	32.0	34.6	36.76	15.70
16	14.0	16.6	18.76	11.70	36	34.0	36.6	38.76	15.70
18	16.0	18.6	20.76	13.70	38	36.0	38.6	40.76	15.70
20	18.0	20.6	22.76	15.70	40	38.0	40.6	42.76	15.70
22	20.0	22.6	24.76	15.70					

投影 (PROJECT)		公差 (TOLERANCE)
单位 (UNIT)	mm	0 ± 0.50
比例 (SCALE)	FIT	0.0 ± 0.30
版本 (EDITION)	A	0.00 ± 0.20
日期 (DATE)	2014 01 10	0.000 ± 0.10

东莞市乔业电子有限公司
DONG GUAN CHYAO YEE (JVT) CONNECTORS CO., LTD.

绘图 (DRAWN)	TONY	料号 (PART NO)	JVT2041HNO- XX	页次 (PAGE)
审核 (CHECKED)	CHEN	图号 (DRAW NO)	031-2041-01	1/1
核准 (APPROVE)		品名 (NAME)	PHB 2.0mm HSG	